

anko

Microwave Oven P70B20AP-ST User Manual



PLEASE READ AND SAVE THESE
INSTRUCTIONS FOR FUTURE REFERENCE

CONTENT

PRECAUTIONS TO AVOID POSSIBLE EXPOSURE TO EXCESSIVE MICROWAVE ENERGY	2
IMPORTANT SAFETY INSTRUCTIONS	2
SPECIFICATIONS	6
INSTALLATION	6
RADIO INTERFERENCE	7
MICROWAVE COOKING PRINCIPLES	7
BEFORE YOU CALL FOR SERVICE.....	7
UTENSILS GUIDE.....	8
PART NAMES	9
CONTROL PANEL.....	10
HOW TO SET THE OVEN CONTROLS	11
<i>SETTING THE CLOCK</i>	11
<i>TIMER FUNCTION</i>	11
<i>MICROWAVE COOKING</i>	11
<i>SPEED DEFROST</i>	12
<i>QUICK START</i>	12
<i>COOK BY WEIGHT</i>	12
<i>DEFROST BY WEIGHT</i>	13
<i>MULTI-STAGE COOKING</i>	13
<i>SETTING CHILD LOCK</i>	14
<i>AUTO COOK MENU</i>	15
POPCORN	15
POTATO.....	15
PIZZA	15
BEVERAGE	15
FROZEN VEGETABLES.....	16
REHEAT	16
CLEANING AND CARE	17
12 MONTH WARRANTY	18

PRECAUTIONS TO AVOID POSSIBLE EXPOSURE TO EXCESSIVE MICROWAVE ENERGY

1. Do not attempt to operate this oven with the door open since open door operation can result in harmful exposure to microwave energy. It is important not to defeat or tamper with the safety interlocks.
2. Do not place any object between the oven front face and the door or allow soil or cleaner residue to accumulate on sealing surfaces.
3. Do not operate the oven if it is damaged. It is particularly important that the oven door close properly and that there is no damage to the
 - a) Door (bent),
 - b) Hinges and latches (broken or loosened),
 - c) Door seals and sealing surfaces.
4. The oven should not be adjusted or repaired by anyone except properly qualified service personnel.

IMPORTANT SAFETY INSTRUCTIONS

When using electrical appliance basic safety precautions should be followed, including the following:

WARNING: To reduce the risk of burns, electric shock, fire, injury to persons or exposure to excessive microwave energy:

1. Read all instructions before using the appliance and keep for future reference.
2. Use this appliance only for its intended use as described in this manual. Do not use corrosive chemicals or vapors in this appliance. This type of oven is specifically designed to heat, cook or dry food. It is not designed for industrial or laboratory use.
3. Do not operate the oven when empty.
4. Do not operate this appliance if it has a damaged cord or plug, if it is not working properly or if it has been damaged or dropped. If the supply cord is damaged, it must be replaced by the manufacturer or its service agent or a similarly qualified person in order to avoid a hazard.

WARNING: Only allow children to use the oven without supervision when adequate instructions have been given so that the child is able to use the oven in a safe way and understands the hazards of improper use.

5. To reduce the risk of fire in the oven cavity:
 - a) When heating food in plastic or paper container, keep an eye on the oven due to the possibility of ignition.
 - b) Remove wire twist-ties from paper or plastic bags before placing bag in oven.
 - c) If smoke is observed, switch off or unplug the appliance and keep the door closed in order to stifle any flames.
 - d) Do not use the cavity for storage purposes. Do not leave paper products, cooking utensils or food in the cavity when not in use.
 - e) The microwave oven is intended for heating food and beverages. Drying of clothing and heating of warming pads, slippers, sponges, damp cloth and similar may lead to risk of injury, ignition or fire.

WARNING: Liquid or other food must not be heated in sealed containers since they are liable to explode.

6. Microwave heating of beverage can result in delayed eruptive boiling, therefore care has to be taken when handle the container.
7. Do not fry food in the oven. Hot oil can damage oven parts and utensils and even result in skin burns.
8. Eggs in their shell and whole hard-boiled eggs should not be heated in microwave ovens since they may explode even after microwave heating has ended.
9. Pierce foods with heavy skins such as potatoes, whole squashes, apples and chestnuts before cooking.
10. The contents of feeding bottles and baby jars should be stirred or shaken and the temperature should be checked before serving in order to avoid burns.
11. Cooking utensils may become hot because of heat transferred from the heated food. Potholders may be needed to handle the utensil.
12. Utensils should be checked to ensure that they are suitable for use in microwave oven.

WARNING: It is hazardous for anyone other than a trained person to carry out any service or repair operation which involves the removal of any cover which gives protection against exposure to microwave energy.

13. This appliance is not intended for use by persons (including children) with reduced physical, sensory or mental capabilities, or lack of experience and knowledge, unless they have been given supervision or instructions concerning use of the appliance by a person responsible for their safety.

14. Children should be supervised to ensure that they do not play with the appliance.

15. The microwave oven is only used in freestanding.

IMPORTANT! Do not install oven over a range cooktop or other heat-producing appliance. If installed, the microwave oven could be damaged.

16. The microwave oven shall not be placed in a cabinet.

17. The door or the outer surface may get hot when the appliance is operating.

Warning: Accessible parts may become hot during use. Young children should be kept away from the microwave oven.

18. During use the appliances becomes hot. Care should be taken to avoid touching the heating elements inside the oven.

19. The temperature of accessible surfaces may be high when the appliance is operating.

20. The appliance shall be placed against a wall.

21. Appliance is not to be used by children or persons with reduced physical, sensory or mental capabilities, or lack of experience and knowledge, unless they have been given supervision or instructions.

WARNING: If the door or door seals are damaged, the oven must not be operated until it has been repaired by a competent person

22. The microwave oven is not intended to be operated by means of an external timer or separate remote-control system.

23. The microwave oven is for household use only and not for commercial use.

24. Never remove the distance holder in the back or on the sides, as it ensures a minimum distance from the wall for air circulation.
25. Please secure the turn table before you move the appliance to avoid damages.

Caution: Any repairs to the product must be carried out by a qualified electrical person only. This includes changing the power cord or the internal light globe.

26. The microwave oven is intended for defrosting, cooking and steaming of food only.
27. Use gloves / oven mitts when removing any heated food.

SPECIFICATIONS

Power Consumption:	230-240V/50Hz, 1200W(Microwave)
Output:	700W
Operation Frequency:	2450MHz
Outside Dimensions:	262mm(H)×452mm(W)×315mm(D)
Oven Cavity Dimensions:	220mm(H)×315mm(W)×294mm(D)
Oven Capacity:	20Litres
Net Weight:	Approx.10.5 kg

INSTALLATION

1. Make sure that all the packing materials are removed from the inside of the door.
2. **WARNING: Check the oven for any damage, such as misaligned or bent door, damaged door seals and sealing surface, broken or loose door hinges and latches and dents inside the cavity or on the door. If there is any damage, do not operate the microwave. Return the product to Kmart.**
3. This microwave oven must be placed on a flat, stable surface to hold its weight and the heaviest food likely to be cooked in the oven.
4. Do not place the oven where heat, moisture, or high humidity are generated, or near combustible materials.
5. For correct operation, the oven must have sufficient airflow. Allow 20cm of space above the oven, 10cm at back and 5cm at both sides. Do not cover or block any openings on the appliance. Do not remove feet.
6. Do not operate the oven without glass tray, roller support, and shaft in their proper positions.
7. Make sure that the power supply cord is undamaged and does not run under the oven or over any hot or sharp surface.
8. The power outlet socket must be readily accessible so that it can be easily unplugged in an emergency.
9. Do not use the oven outdoors.

RADIO INTERFERENCE

Operation of the microwave oven can cause interference to your radio, TV, or similar equipment.

When there is interference, it may be reduced or eliminated by taking the following measures:

1. Clean door and sealing surface of the oven.
2. Reorient the receiving antenna of radio or television.
3. Relocate the microwave oven with respect to the receiver.
4. Move the microwave oven away from the receiver.
5. Plug the microwave oven into a different power outlet so that microwave oven and receiver are on different electrical circuits.

MICROWAVE COOKING PRINCIPLES

1. Arrange food carefully. Place thickest areas towards outside of dish.
2. Watch cooking time. Cook for the shortest amount of time indicated and add more as needed. Food severely overcooked can smoke or ignite.
3. Cover foods while cooking. Covers prevent spattering and help foods to cook evenly.
4. Turn foods over once during microwave cooking to speed cooking of such foods as chicken and hamburgers. Large items like roasts must be turned over at least once.
5. Rearrange foods such as meatballs halfway through cooking both from top to bottom and from the center of the dish to the outside.

BEFORE YOU CALL FOR SERVICE

If the oven fails to operate:

1. Check to ensure that the oven is plugged in securely. If it is not, remove the plug from the outlet, wait 10 seconds, and plug it in again securely.
2. Check for a blown circuit fuse or a tripped main circuit breaker. If these seem to be operating properly, test the outlet with another appliance.
3. Check to ensure that the control panel is programmed correctly and the timer is set.
4. Check to ensure that the door is securely closed engaging the door safety lock system. Otherwise, the microwave energy will not flow into the oven.

IF NONE OF THE ABOVE RECTIFIES THE SITUATION, THEN CONTACT A QUALIFIED TECHNICIAN. DO NOT TRY TO ADJUST OR REPAIR THE OVEN YOURSELF.

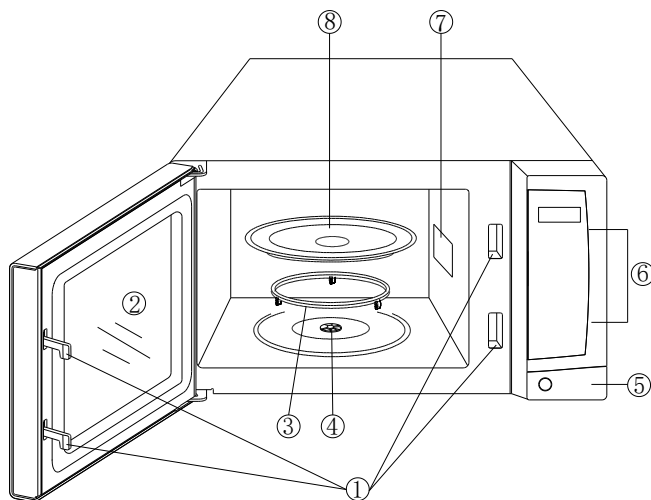
UTENSILS GUIDE

1. Microwave cannot penetrate metal. Only use utensils that are suitable for use in microwave ovens. Metallic containers for food and beverages are not allowed during microwave cooking. This requirement is not applicable if the manufacturer specifies size and shape of metallic containers suitable for microwave cooking.
2. Microwave cannot penetrate metal, so metal utensils or dishes with metallic trim should not be used.
3. Do not use recycled paper products when microwave cooking, as they may contain small metal fragments which may cause sparks and/or fires.
4. Round /oval dishes rather than square/oblong ones are recommended, as food in corners tends to overcook.
5. Narrow strips of aluminum foil may be used to prevent overcooking of exposed areas. But be careful don't use too much and keep a distance of 1 inch (2.54cm) between foil and cavity.

The list below is a general guide to help select the correct utensils that can be safely used in the microwave oven.

COOKWARE	MICROWAVE
Heat-Resistant Glass	Yes
Non Heat-Resistant Glass	No
Heat-Resistant Ceramics	Yes
Microwave-Safe Plastic Dish	Yes
Kitchen Paper	Yes
Metal Tray	No
Metal Rack	No
Aluminum Foil & Foil Containers	No

PART NAMES



1. Door Safety Lock System
2. Oven Window
3. Roller Ring
4. Shaft
5. Door Release Button
6. Control Panel
7. Wave Guide (Please do not remove the mica plate covering the wave guide)
8. Glass Tray

CONTROL PANEL



DISPLAY

Cooking time, power, indicators and clock time are displayed.

AUTO COOK MENUS

There are 6 kinds of auto cook menus. Use to set auto cook program.

NUMBER PADS (0-9)

Use to set time or food weight.

CLOCK

Use to set the current time.

POWER

Use to select microwave cooking power level.

TIME COOK

Use to set multistage cooking program

TIMER

Use to set timer program.

SPEED DEFROST

Use to set defrost program based on time enter.

DEFROST BY WEIGHT

Use to set defrost program based on weight enter.

COOK BY WEIGHT

Programmed cooking based on weight of foods to be cooked.

START/+30 SEC

Use to start a cooking program or set quick start program.

RESET

Clears all previous settings before setting another function or be used to set and release child lock function.

STOP

Press to stop cooking program.

HOW TO SET THE OVEN CONTROLS

- When the oven first plugged in, the display will show “1:01”.
- During cooking setting process, the oven will return to waiting mode if there is not any operation within 25 seconds.
- During cooking, if press STOP pad once, the program will be paused, then press RESET pad can cancel the program.
- End will display with beeps to remind user the program is over, and it will sound every two minutes until you press any pad or open the door.

Setting the Clock

This is a 12 or 24 hour clock, press CLOCK pad once to choose 12 hour clock and press this pad again to choose 24 hour clock.

1. Press CLOCK pad once or twice.
2. Use the number pads to enter the correct time.
3. Press CLOCK pad again to confirm.

NOTE: During cooking, the current time of the clock can be seen by pressing CLOCK pad.

Timer Function

1. In standby state or during cooking, press TIMER pad once.
2. Use the number pads to enter desired time. The longest time is 99 minutes 99 seconds.
3. Press START/+30 SEC pad to confirm.

NOTE: During countdown process, the timer time will display for 5 seconds by pressing TIMER pad, and then press RESET pad within 5 seconds can cancel the program.

Microwave Cooking

For microwave cooking, just press POWER pad a number of times to enter cooking power level, and then press the number pads enter cooking time. The oven will start to cook after START/+30 SEC pad is pressed.

1. Press POWER pad repeatedly to choose the cooking power level.
2. Use the number pads to enter cooking time. The longest time can be set is 99 minutes 99 seconds.

3. Press START/+30 SEC pad to confirm.

Press POWER pad set a cooking power level:

Press POWER pad	Cooking power (Display)
Once	100% (P100)
Twice	90% (P-90)
3 times	80% (P-80)
4 times	70% (P-70)
5 times	60% (P-60)
6 times	50% (P-50)
7 times	40% (P-40)
8 times	30% (P-30)
9 times	20% (P-20)
10 times	10% (P-10)

NOTE: If you want to cook at 100% power, omit the first step given above. During cooking, you can check the current cooking power level by pressing POWER pad.

Speed Defrost

1. Press SPEED DEFROST pad.
2. Use the number pads to enter defrosting time. The longest time is 99 minutes 99 seconds.
3. Press START/+30 SEC pad.

Quick Start

In standby mode, press START/+30 SEC pad repeatedly to enter cooking time. The longest time you can enter is 10 minutes. The oven will start automatically at 100% high power level. During cooking, you can add cooking time by pressing START/+30 SEC pad.

Cook by Weight

1. Press COOK BY WEIGHT pad.
2. Enter the one digit code by pressing the correct number pad (1~3).
3. Enter weight by pressing correct number pads.
4. Press START/+30 SEC.

Cook By Weight Code Description

CODE	TYPE	MAX WEIGHT
CODE 1	Beef	2700g
CODE 2	Mutton	2700g
CODE 3	Pork	2300g

Note: During cooking, the system will pause and sound beeps to remind user to turn food over, and then press START/+30 SEC to resume cooking.

Defrost By Weight

The defrosting time and power level are adjusted automatically once the weight is programmed.

1. Press DEFROST BY WEIGHT pad.
2. Use the number pads to enter the food weight. (Maximum weight you can enter is 2700g.)
3. Press START/+30 SEC pad.

Multi-stage cooking

Your oven can be programmed up to 3 automatic cooking sequences. It can be composed of speed defrost with one or two Microwave Cooking program or composed of two Microwave Cooking program.

A. SPEED DEFROST with one or two-stage Microwave Cooking

1. Input the first stage SPEED DEFROST cooking program. Steps as follows:
 - 1) Press SPEED DEFROST pad once.
 - 2) Enter desired defrosting time by pressing correct number pads.
2. Press TIME COOK pad once and start to input the second stage microwave cooking program.
For example: If you want to cook the food with 80% power level for 10 minutes as the second microwave cooking stage, do it as follow:
 - 1) Press the POWER pad three times to show "P-80".
 - 2) Press 1,0,0,0 to set cooking time.
3. Repeat the step 2 to input the third stage microwave cooking program.
4. Press START/+30 SEC. to start.

NOTE: Step 3 is not necessary if you only have one Microwave Cooking program. In multi-stage cooking, if one stage is defrosting, then defrosting shall be placed in the first stage.

B. Two-stage Microwave Cooking

Some recipes require different stages of cooking at different temperatures. Example: If you want to cook the food with 100% power level for 10 minutes plus 80% microwave power for 15 minutes, do the following:

1. Press the POWER pad once to show P100
2. Press the number pad 1,0,0,0 to show 10:00.
3. Press the TIME COOK once.
4. Press the POWER pad three times to show "P-80".
5. Press 1, 5, 0, 0, to set the cooking time.
6. Press the START / +30 SEC button to start cooking.

NOTE: Quick cook menu, defrost by weight and cook by weight cannot be set in multistage cooking.

Setting Child Lock

The lock prevents unsupervised operation by children.

- To set the child lock: In standby mode, press and hold RESET pad for 3 seconds, then a beep will sound. In the lock state, the oven can't be operated.
- To cancel the child lock: Press and hold RESET pad for 3 seconds, then a beep will sound, and the oven can be operated.

Auto Cook Menu

POPCORN

1. Press POPCORN pad once.

POPCORN automatically sets the cooking time for a 99g bag of microwave popcorn.

2. Press START/+30 SEC pad.

NOTE: To change the preset POPCORN time: Press POPCORN pad twice. ENTER TIME appears on display. Press number pads to enter minutes and seconds (The longest time is 99 minutes and 99 seconds). Press START/+30 SEC. This new cooking time will remain whenever you use the POPCORN setting except the power is cut off or you reset it.

POTATO

For of potatoes (110 – 170g /share):

1. Press POTATO pad
2. Press START/+30 SEC pad.

PIZZA

Reheating a slice of pizza (about 150g):

1. Press PIZZA pad once.
2. Press START/+30 SEC.

Heating a whole frozen pizza (about 450g):

1. Press PIZZA pad twice.
2. Press START/+30 SEC.

BEVERAGE

For cups (140 ~ 200ml/cup):

1. Press BEVERAGE pad once.
2. Enter number of cups by pressing number pads from 1 to 4.
3. Press START/+30 SEC.

For the larger coffee mugs (260 ~310ml/cup):

1. Press BEVERAGE pad twice.
2. Enter number of cups by pressing number pads from 1 to 4.
3. Press START/+30 SEC.

FROZEN VEGETABLES

For one or two small (110~170g/share) of frozen vegetables:

1. Press FROZEN VEGETABLES pad once.
2. For 1 entree or 2 entrees, press the number pad “1” or “2”
3. Press START/+30 SEC pad.

Microwaving one or two large (280~340g/share) of frozen vegetables:

1. Press FROZEN VEGETABLES pad twice.
2. For 1 entree or 2 entrees, press the number pad “1” or “2”:
3. Press START/+30 SEC.

REHEAT

1. Press REHEAT pad once.
2. Press START/+30 SEC.

CLEANING AND CARE

1. Turn off the oven and remove the power plug from the wall socket before cleaning.
2. Keep the inside of the oven clean. When food splatters or spilled liquids adhere to oven walls, wipe with a damp cloth. Mild detergent may be used if the oven gets very dirty. Avoid the use of spray and other harsh cleaners as they may stain, streak or dull the door surface.
3. The outside surfaces should be cleaned with a damp cloth. To prevent damage to the operating parts inside the oven, water should not be allowed to seep into the ventilation openings.
4. Wipe the both sides of the door and window, the door seals and adjacent parts frequently with a damp cloth to remove any spills or splatters. Do not use abrasive cleaner.
5. A steam cleaner is not to be used.
6. Do not allow the control panel to become wet. Clean with a soft, damp cloth. When cleaning the control panel, leave oven door open to prevent oven from accidentally turning on.
7. If steam accumulates inside or around the outside of the oven door, wipe with a soft cloth. This may occur when the microwave oven is operated under high humidity condition. And it is normal.
8. It is occasionally necessary to remove the glass tray for cleaning. Wash the tray in warm sudsy water or in a dishwasher.
9. The roller ring and oven floor should be cleaned regularly to avoid excessive noise. Simply wipe the bottom surface of the oven with mild detergent. The roller ring may be washed in mild sudsy water or dishwasher. When removing the roller ring from cavity floor for cleaning, be sure to replace in the proper position.
10. Remove odors from your oven by combining a cup of water with the juice and skin of one lemon in a deep microwavable bowl, microwave for 5 minutes. Wipe thoroughly and dry with a soft cloth.
11. When it becomes necessary to replace the oven light, please consult a dealer to have it replaced.
12. The oven should be cleaned regularly and any food deposits removed. Failure to maintain the oven in a clean condition could lead to deterioration of the surface that could adversely affect the life of the appliance and possibly result in a hazardous.
13. Please do not dispose this appliance in the domestic rubbish bin; it should be disposed/recycled responsibly. If unsure, contact the local council waste management service for recycling facilities available for your area.

12 MONTH WARRANTY

Thank you for your purchase from Kmart.

Kmart Australia Ltd warrants your new product to be free from defects in materials and workmanship for the period stated above, from the date of purchase, provided that the product is used in accordance with accompanying recommendations or instructions where provided. This warranty is in addition to your rights under the Australian Consumer Law.

Kmart will provide you with your choice of a refund, repair or exchange (where possible) for this product if it becomes defective within the warranty period. Kmart will bear the reasonable expense of claiming the warranty. This warranty will no longer apply where the defect is a result of alteration, accident, misuse, abuse or neglect.

Please retain your receipt as proof of purchase and contact our Customer Service Centre on 1800 124 125 (Australia) or 0800 945 995 (New Zealand) or alternatively, via Customer Help at Kmart.com.au for any difficulties with your product. Warranty claims and claims for expense incurred in returning this product can be addressed to our Customer Service Centre at 690 Springvale Rd, Mulgrave Vic 3170.

Our goods come with guarantees that cannot be excluded under the Australian Consumer Law. You are entitled to a replacement or refund for a major failure and compensation for any other reasonably foreseeable loss or damage. You are also entitled to have the goods repaired or replaced if the goods fail to be of acceptable quality and the failure does not amount to a major failure.

For New Zealand customers, this warranty is in addition to statutory rights observed under New Zealand legislation.